



Acme Sanitary Ware Co Ltd

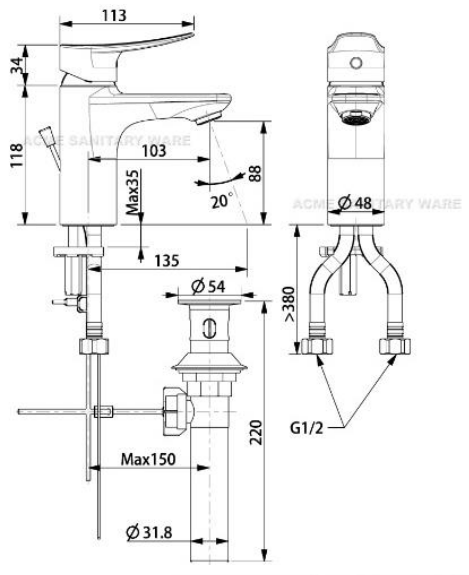
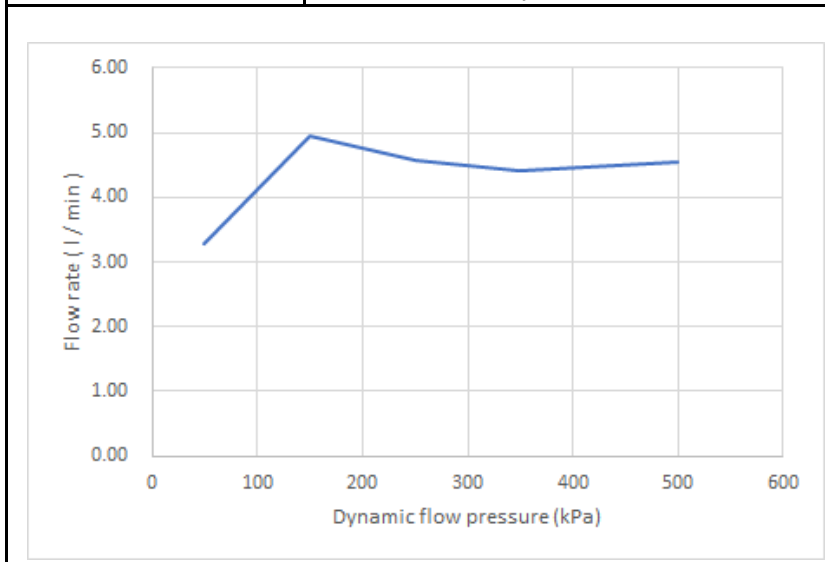
Acme Building, 22-28 Nanking Street, Kowloon, Hong Kong
Tel: 2388 7171 Fax: 2710 8012
E-mail: acme@acmesanitary.com.hk
Website: www.acmesanitaryware.com.hk

American Standard

PROJECT		REF		REV	ITEM CODE	
LOCATION		DATE			PAGE	

SANITARY WARE SPECIFICATION SHEET

Item Descriptions	American Standard (PRC) "Milano" Chrome plated single lever mixer; nominated flow rate 4.6 L/min in WELS Grade 1; Registration No. TM 18-0168	<p>Illustration/ Drawing</p>
Dimensions	L135 x W48 x H152 mm	
Model	CF-0901.102.50	
Finish	Chrome Plated	
Manufacturer	American Standard (PRC)	
Source	Acme Sanitary Ware Co. Ltd Mr. Eric Wong/ Mr. Don Yuen	
Contact Tel/Fax	(852) 2388-7171 / (852) 2710-8012	
E-mail	acme@acmesanitary.com.hk	
Website	www.acmesanitary.com.hk	



CF-0901.10X.50



Note: Same product but different model no:
WF-0901.102.50 (PRC) or FFAS0901-102500BC0

* All information of the above is for the reference only. No prior notice is made if any changes.

註冊號碼 (Registration No.): TM 18-0168




自願參與用水效益標籤計劃 - 水龍頭
Voluntary Water Efficiency Labelling Scheme - Water Taps



茲證明
This is to certify that

將下列水龍頭在本計劃內註冊：
has registered the following water tap under this scheme :

牌子 / Brand	:	American Standard
型號 / Model	:	CF-0901.10X.50
種類 / Type	:	Mixing
原產地 / Country or Region Origin	:	China

在用水效益標籤上展示的標誌 <i>Symbolic Presentation on the Water Efficiency Label</i>	:		滴水點 <i>Water droplet(s)</i>
用水效益級別 <i>Water Efficiency Grade</i>	:	1	
耗水量 <i>Water Consumption</i>	:	4.6	公升/分鐘 <i>litres/minute</i>

簽發日期：
Date of Issue:

13 July 2018



水務署
Water Supplies Department



水務署署長(周世威代行)
for Director of Water Supplies



水務署

Water Services Department

香港灣仔

Immigration

電子郵遞
e-mail

wsdinfo@wsd.gov.hk

圖文傳真
Facsimile

2824 0578

檔號
Reference

(6) in WSD 3321/18 Pt.1 T/J(215)



Hong Kong

30 May 2018

Approval of "AMERICAN STANDARD" Basin Mixers

Your letters ref. WRC/1598, C-WSD/0348 and C-WSD/0395 dated 22 February 2018, 26 March 2018 and 9 May 2018 respectively refer.

Having considered the test report ref. J21677Ar2 issued on 30 April 2018 by Nutek Systems (HK) Ltd., this Authority accepts that the fittings described below comply with, and their use when correctly installed does not contravene, the Waterworks Ordinance and Regulations.

Name of Manufacturer: American Standard

Country of Origin: China

Brand: American Standard

Details of Fittings: 1/2" Single lever basin mixer

Model: CF-0901.10X.50
WF-0901.10X.50
(where "X" denotes the code of handle)

Body Markings: *American Standard*

Expiry Date: 10 October 2022

This Authority hereby permits the use of the above fittings in fresh water plumbing systems subject to full adherence to Waterworks installation requirements. In particular, you are required to draw your customers' attention to the following requirement-

“The cold water supply to the fittings shall be drawn from the same source that supplies the hot water apparatus so as to provide a balanced pressure and to obviate the risk of scalding in the event of a restriction or failure in the water supply.”

A condition of this acceptance is that the fittings to be installed shall be replicas of the samples as certified by the testing agent mentioned above and without modifications. This acceptance may be withdrawn at any time if the standard of the fittings installed fails to meet that of the approved samples or if the fittings are found to be unsuitable for use in fresh water plumbing systems.

This acceptance is only applicable to the main body of the fittings, unless other specified.

For the use of the fittings in any project, the Acceptance Reference Number at the bottom of this letter must be quoted as a means of identification of acceptance of the fittings by this Authority.

Should you have any enquiries, please contact our Engineer Mr. Terry KUNG at tel. no. 3583 4086.

Yours faithfully,



(CHAN Chung Kun)
for Water Authority

c.c. WSD 3321/1/82] - without catalogue
ME/MC] - with soft copy only